

extensive range  
leading brands  
design & install

SAFE & SECURE  
ONLINE SHOPPING

australia wide authorised catering equipment distributor

Visit Australia's leading Commercial Catering Equipment website for instant quotes on the major catering equipment brands at very competitive prices.

[www.mvocateringsolutions.com.au](http://www.mvocateringsolutions.com.au)

#### Showroom locations

MVO Services  
3 Toonburra Street  
Bundaberg QLD 4670  
Ph (07) 4152 7277

MVO Services  
5/85 Beach Road  
Hervey Bay QLD 4655  
Ph (07) 4194 0722

Your requested document is included below



Hot food displays

# hot food display cabinets

**MODELS: WHFS/C22; 23; 24; 25 & 26**

**STANDARD FEATURES**

- Stainless steel construction with dual skin air-insulated bain marie tank for improved safety
- All toughened glass gantry - fully sealed to prevent vermin ingress
- Multiple element design means unit will continue to operate in the event of element failure
- Thermostat controls with clear temp. readout
- Large 20mm drain downward emptying ball valve
- Overhead heat lamps wired to maximise light, heat and reliability - with perimeter cover
- Full size gastronorm cavity to take choice of 65mm and 100mm pan combinations
- Easy to service via rear access panel
- 2 & 3 bay supplied with 10 amp plug & lead
- 4, 5 & 6 bay supplied with 15 amp plug & lead

**OPTIONS**

**Easy to accessorise with:**

- Rear glass sliding doors (add G to code)
- ½ size pans, 65mm deep (add 65 to code)
- Trolleys & trolley accessories

**WHFS/C22 - 2 x ½ pans wide, 2 rows**  
Kw 2.3 W 700 D 600 H 690

**WHFS/C23 - 3 x ½ pans wide, 2 rows**  
Kw 2.4 W 1030 D 600 H 690

**WHFS/C24 - 4 x ½ pans wide, 2 rows**  
Kw 3.5 W 1355 D 600 H 690

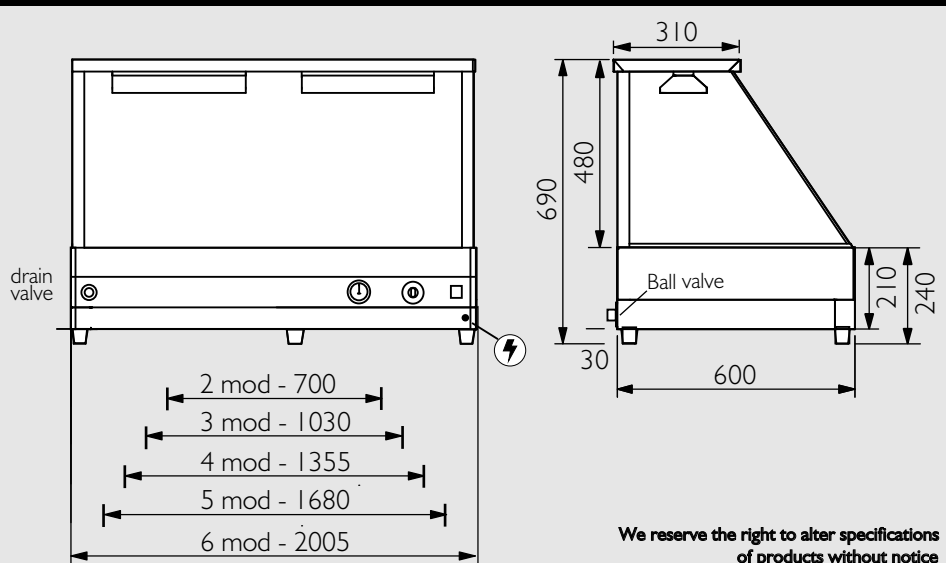
**WHFS/C25 - 5 x ½ pans wide, 2 rows**  
Kw 3.6 W 1680 D 600 H 690

**WHFS/C26 - 6 x ½ pans wide, 2 rows**  
Kw 3.6 W 2005 D 600 H 690



Model shown WHFS23

**WHFS/C**



We reserve the right to alter specifications of products without notice

**Dealer:**

**For details of your local dealer contact:**

QLD, NT, WA, International      NSW, ACT      VIC, SA, TAS  
 ph 07 3344 2444 fax 07 3345 6403      ph 02 9817 7700 fax 02 9817 7800      ph 03 9543 9922 fax 03 9543 9944  
 email fse@stoddart.com.au      email gladesville@stoddart.com.au      email melbourne@stoddart.com.au

Manufactured by: Tom Stoddart Pty Ltd, 215 Jackson Road Sunnybank Hills, Qld 4109 Australia