

extensive range
leading brands
design & install

SAFE & SECURE
ONLINE SHOPPING

australia wide authorised catering equipment distributor

Visit Australia's leading Commercial Catering Equipment website for instant quotes on the major catering equipment brands at very competitive prices.

www.mvocateringsolutions.com.au

Showroom locations

MVO Services
3 Toonburra Street
Bundaberg QLD 4670
Ph (07) 4152 7277

MVO Services
5/85 Beach Road
Hervey Bay QLD 4655
Ph (07) 4194 0722

Your requested document is included below



infra-red toaster/griller

MODEL: WGL175

APPLICATIONS

- Ideal for grilling, toasting or warming foods such as bread, cheese etc.

CAPACITY GUIDE

- 4-6 slices on 450mm x 260mm rack

STANDARD FEATURES

- Grills, toasts and warms
- Top & bottom elements with choice of top element operation only
- 15 minute automatic timer controlled operation
- Stainless steel construction
- Easy-clean removable crumb tray

Also available in 10 amp (WGL170)



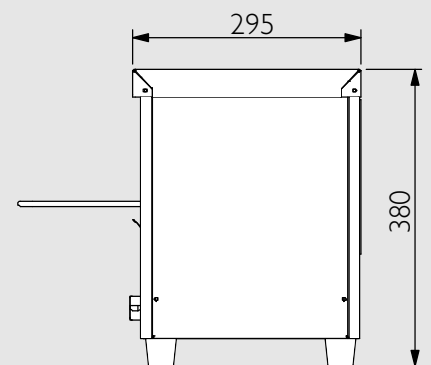
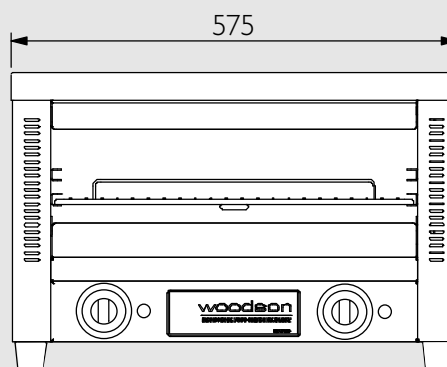
SPECIFICATIONS

Kw 3.4		Amps 15	
Width 575	Depth 295	Height 380	
Weight 16kg			

We reserve the right to alter specifications of products without notice

Dealer:

WGL175



We reserve the right to alter specifications of products without notice

For details of your local dealer contact:

QLD, NT, WA, International
ph 07 3344 2444 fax 07 3345 6403
email fse@stoddart.com.au

NSW, VIC, SA
ph 02 9817 7700 fax 02 9817 7800
email gladesville@stoddart.com.au

Manufactured by:

Tom Stoddart Pty Ltd
215 Jackson Road Sunnybank Hills
Qld 4109 Australia