

extensive range  
leading brands  
design & install

SAFE & SECURE  
ONLINE SHOPPING

australia wide authorised catering equipment distributor

Visit Australia's leading Commercial Catering Equipment website for instant quotes on the major catering equipment brands at very competitive prices.

[www.mvocateringsolutions.com.au](http://www.mvocateringsolutions.com.au)

#### Showroom locations

MVO Services  
3 Toonburra Street  
Bundaberg QLD 4670  
Ph (07) 4152 7277

MVO Services  
5/85 Beach Road  
Hervey Bay QLD 4655  
Ph (07) 4194 0722

Your requested document is included below



# large griddle

**MODEL: WGDA60**

## APPLICATIONS

- Large flat surfaced fryer for burgers, bacon, eggs, steaks etc.

## CAPACITY GUIDE

- 14 x 7 oz steaks or equivalent

## STANDARD FEATURES

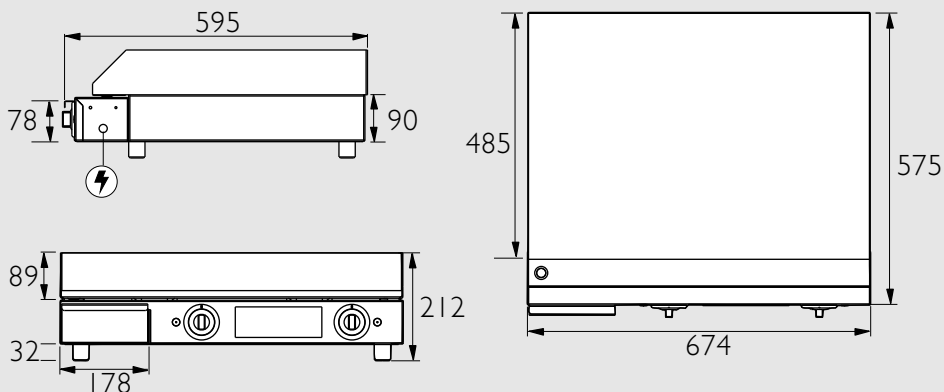
- 8mm thick cast steel hot plate - 670mm x 484mm cooking area
- Removable grease drain drawer
- Dual thermostat control for half cooking area feature and pilot light to indicate power on
- Stainless steel construction
- Supplied with 20 amp plug and lead.



**WGDA60**

## SPECIFICATIONS

	Kw 4.8	Amps 20
Width	674	Depth 595
		Height 212



We reserve the right to alter specifications of products without notice

## Dealer:

### For details of your local dealer contact:

QLD, NT, WA, International ph 07 3344 2444 fax 07 3345 6403 email fse@stoddart.com.au	NSW, ACT ph 02 9817 7700 fax 02 9817 7800 email gladesville@stoddart.com.au	VIC, SA, TAS ph 03 9543 9922 fax 03 9543 9944 email melbourne@stoddart.com.au
---	---	---

Manufactured by: Tom Stoddart Pty Ltd, 215 Jackson Road Sunnybank Hills, Qld 4109 Australia