

extensive range  
leading brands  
design & install

SAFE & SECURE  
ONLINE SHOPPING

australia wide authorised catering equipment distributor

Visit Australia's leading Commercial Catering Equipment website for instant quotes on the major catering equipment brands at very competitive prices.

[www.mvocateringsolutions.com.au](http://www.mvocateringsolutions.com.au)

#### Showroom locations

MVO Services  
3 Toonburra Street  
Bundaberg QLD 4670  
Ph (07) 4152 7277

MVO Services  
5/85 Beach Road  
Hervey Bay QLD 4655  
Ph (07) 4194 0722

Your requested document is included below



# contact toaster 6/8 slice

**MODEL: WCT8**

**APPLICATIONS**

- Ideal for toasting sandwiches, foccacias, kebabs etc.

**CAPACITY GUIDE**

- 6-8 slices on large 474mm x 294mm plates

**STANDARD FEATURES**

- Bottom and top hot plates for fast, flavourful toasted sandwiches & kebabs
- Weighted height adjustment
- Ultra-smooth plate with drain groove to front makes cleaning easier
- Full stainless steel body and lift mechanism including insulated handle - heavy duty construction means longer life
- Removable front mounted grease drain box
- Flexible metal conduit to strengthen cables to upper cooking plate
- Thermostat control & indicator light
- Non-slip rubber feet



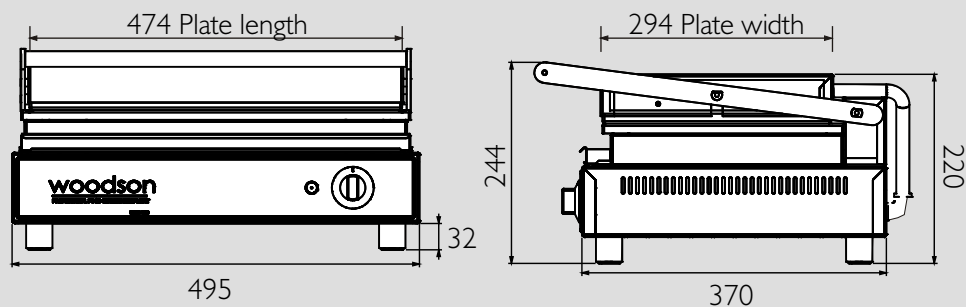
**WCT8**

**SPECIFICATIONS**

	Kw 2.4	Amps 10	
Width 495	Depth 370	Height 220	

**Dealer:**

⚡ Power cable located at rear of unit on the left hand end.



We reserve the right to alter specifications of products without notice

**For details of your local dealer contact:**

**QLD**  
Tel: 07 3344 2444  
Fax: 07 3345 6403  
fse@stoddart.com.au

**NSW**  
Tel: 02 8846 5999  
Fax: 02 8846 5900  
sydney@stoddart.com.au

**VIC & TAS**  
Tel: 03 9584 5677  
Fax: 03 9584 6744  
melbourne@stoddart.com.au

**WA**  
Tel: 08 9418 2477  
Fax: 08 9418 2588  
perth@stoddart.com.au

**SA & NT**  
Tel: 1300 79 1954  
adelaide@stoddart.com.au