



Visit Australia's leading Commercial Catering Equipment website for instant quotes on the major catering equipment brands at very competitive prices.

[www.mvocateringsolutions.com.au](http://www.mvocateringsolutions.com.au)

#### Showroom locations

MVO Services  
3 Toonburra Street  
Bundaberg QLD 4670  
Ph (07) 4152 7277

MVO Services  
5/85 Beach Road  
Hervey Bay QLD 4655  
Ph (07) 4194 0722


Your requested document is included below

# Pizza Bench

Pizza Make-up & Sandwich preparation counter - PM Series



Air vents blowing cold air over G/N pans



Lifting stainless steel cover lockable in 3 positions



Full Length Refrigeration for Even Effective Cooling

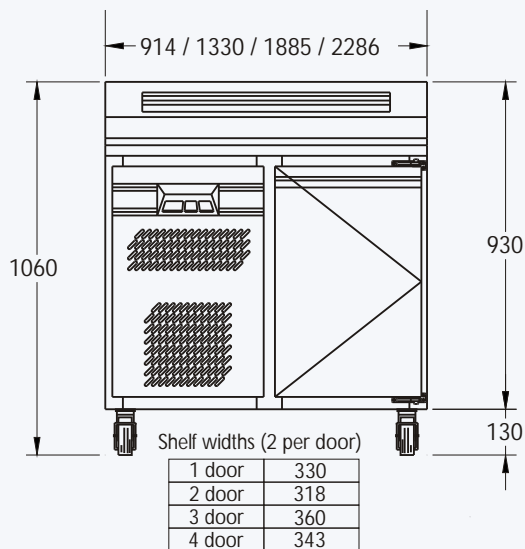
DEALER:



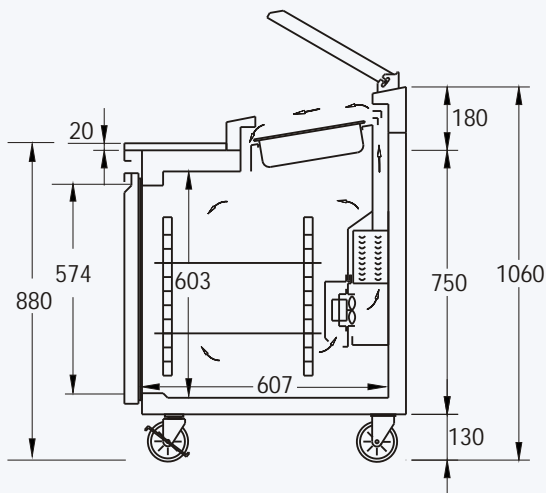
PM-4-2266-DW

**KOLDTECH**  
The Technology of Excellence

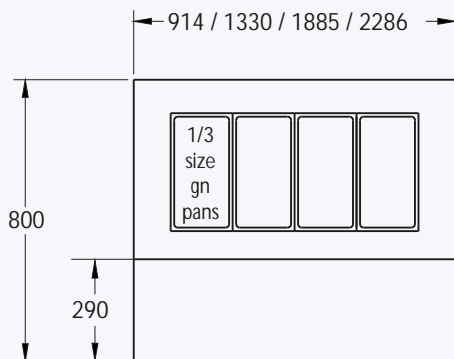
## Front View



## Side View



## Top View



# PM-SERIES

## Preparation / make-up bench

### Performance and operating conditions

PM-series pizza/sandwich make-up counters are designed to hold product at below 5°C in both the upper ingredient well and the underbench refrigerator. PM series cabinets are rated to operate at ambient temperatures of up to 35°C.

### Standard Features

#### Refrigeration System

Unique full-length back-mounted evaporator coil (using R-404a refrigerant) ensures consistent and effective cooling of the ingredient well and refrigerator along the entire cabinet. The self-contained motor for the refrigeration system is incorporated into the left hand end of the cabinet, and is serviced by a removable rear panel.

#### Controller

Adjustable micro-processor control with digital temperature display. Comes with separate power and cabinet light switch.

#### Body & Furnishings

Exterior made from 304 grade stainless steel in no.4 finish. Door frame and mullion are 430 grade stainless steel. Interior from 304 stainless steel in 2B finish. Pressure injected polyurethane foam insulation ensures uniformity and high structural strength. Doors are self-closing with magnetic gaskets. Mullions are capped with high strength ABS breaker strip to allow easy servicing.

#### Inclusions

Supplied with 1/3 100mm deep gastronorm pans to suit, and pan support bars. Supplied with 2 plastic coated zinc-plated steel shelves per door.

#### Options

- Polycarbonate cutting board
- Pizza make-up trays and racks
- Additional gastronorm pans
- Additional shelves & runners

#### Warranty

12 months on-site parts and labour warranty.

### Technical Data

#### Pm-1-914 (1 DOOR)

Dimension L x D x H (cm)	91.4 x 80 x 106
Cooling capacity (Btu) - Condensing unit (Hp)	3412 - 1/2
Wire shelves	2 pieces
Pans (100mm depth)	4 x GN 1/3

#### Pm-2-1330 (2 DOOR)

Dimension L x D x H (cm)	133 x 80 x 106
Cooling capacity (Btu) - Condensing unit (Hp)	3412 - 3/4
Wire shelves	4 pieces
Pans (100mm depth)	7 x GN 1/3

#### Pm-3-1885 (3 DOOR)

Dimension L x D x H (cm)	188.5 x 80 x 106
Cooling capacity (Btu) / Condensing unit (Hp)	4435 / 3/4
Wire shelves	6 pieces
Pans (100mm depth)	10 x GN 1/3

#### Pm-4-2286 (4 DOOR)

Dimension L x D x H (cm)	228.6 x 80 x 106
Cooling capacity (Btu) / Condensing unit (Hp)	4435 / 1
Wire shelves	8 pieces
Pans (100mm depth)	12 x GN 1/3

Continued product improvement is WELBILT Manufacturing Ltd policy. Specifications are subject to change without notice

Manufactured by Welbilt Manufacturing Ltd.  
Imported by Tom Stoddart Pty Ltd,  
215 Jackson Road Sunnybank Hills Qld 4109  
Warranty, Service & dealer enquiries:  
(07) 3344 2444 Fax: (07) 3345 6403

