



Visit Australia's leading Commercial Catering Equipment website for instant quotes on the major catering equipment brands at very competitive prices.

www.mvocateringsolutions.com.au

Showroom locations

MVO Services
3 Toonburra Street
Bundaberg QLD 4670
Ph (07) 4152 7277

MVO Services
5/85 Beach Road
Hervey Bay QLD 4655
Ph (07) 4194 0722

Your requested document is included below



The FA manual slicers are belt-driven, medium duty powerhouses that takes the hard work out of slicing. Available in a range of sizes, they are ideal for caterers, restaurants, small/medium kitchens and delicatessens.



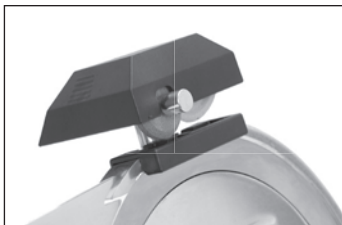
Model
FA
Belt Driven Slicers

Model FA Belt Driven Slicers

The Model FA series of belt-driven food slicers have been designed for those who require precision slicing.

The large dimensions of the receiving plate permit complete freedom in slice accumulation. Along with the model range's other features, this makes these machines some of the most functional on the market.

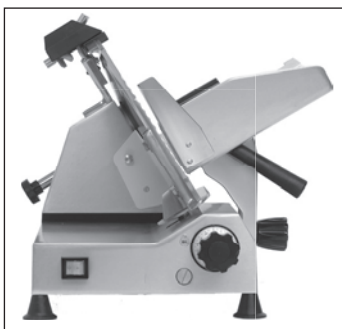
- Manufactured in anodised aluminium to resist the corrosive effects of salts and acids.
- Constructed for easy and friendly cleaning.
- Micrometric adjusting knob allows for cutting of slices up to 16mm.
- Self contained inbuilt and shielded sharpening device.
- Forced ventilation to motor.
- Belt driven blade.
- Blade ring guard.



The built-in sharpener is simple and safe to operate.



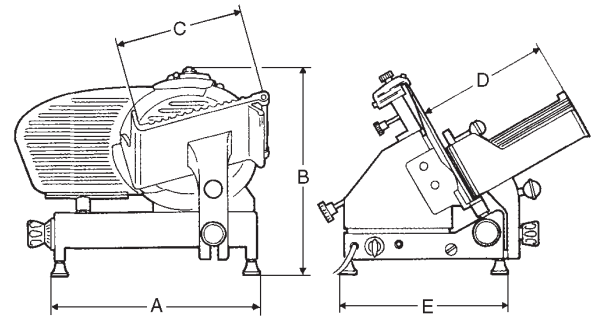
Precision adjustment of slice thickness.



The ample and uncluttered receiving plate allows slices to be quickly accumulated.

SPECIFICATIONS

	220	250	300	350
Blade (mm)	220	250	300	350
Blade RPM	200			
230V single phase motor	330W, 50Hz			
Operating Temp Range	+5°C - +40°C			
Net weight (kg)	13	16	24	38
Max. Slice thickness (mm)	16			



Dimensions

	220	250	300	350
A	460	500	560	545
B	320	370	400	575
C	232	250	282	280
D	210	229	258	310
E	360	440	450	385

SALES AND SERVICE

SYDNEY: Ph: (02) 9838 0505; Fx: (02) 9838 0822
MELBOURNE: Ph: (03) 9888 7125; Fx: (03) 9888 7909
BRISBANE: Ph: (07) 3205 1077; Fx: (07) 3205 1144
ADELAIDE: Ph: (08) 8234 6277; Fx: (08) 8234 9033
PERTH: Ph: (08) 9204 3222; Fx: (08) 9204 3388
HOBART: Ph: (03) 6234 8300; Fx: (03) 6231 1291
DARWIN: Ph: (08) 8984 4125; Fx: (08) 8947 1900
WAGGA: Ph: (02) 6922 5836; Fx: (02) 6926 5657
FREECALL: 1800 353 844
EMAIL: info@briceaust.com.au



© Brice Australia Pty. Ltd.
 A.B.N. 71 413 589 669
 100% Australian owned and operated

Copyright © 2005 Brice Australia Pty. Ltd.
 www.briceaust.com.au

Note: Specifications subject to change without prior notice